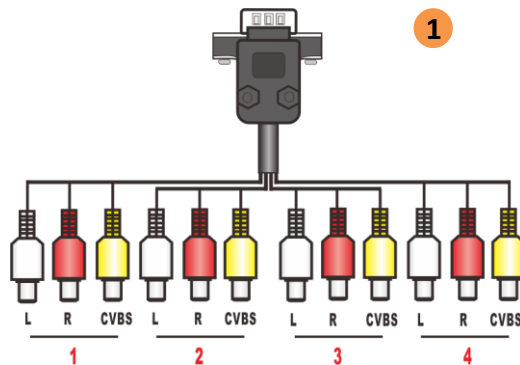




DX3226SA

Multi-Channel Encoder



****4/8=16/32 Channels***

Product Overview

DEXIN DX3226SA multi-channel encoder is our newest professional SD audio & video encoding and multiplexing device with powerful functionality. It adopts the slot structure with one device supporting maximum 2 DX3226SA modules. Each module can support 16 channels and work standalone. It is equipped with 16/32 CVBS channels input. It can multiplex the 16/32 encoded TS to generate a MPTS and 16/32 SPTS output through GE output port and one MPTS output through 2 ASI output ports. In conclusion, its high integration and cost-effective design make this device widely used in variety of digital distribution systems such as CATV digital head-end, satellite and terrestrial digital TV, etc.

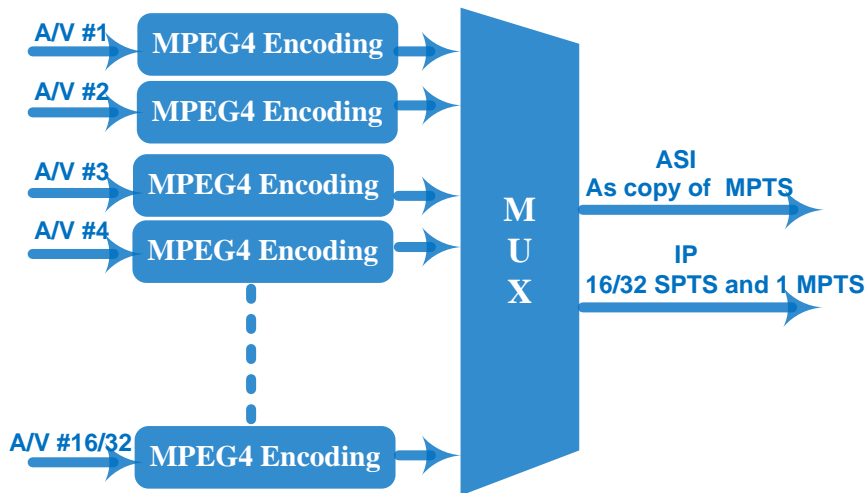


All the specifications are subject to change without any further notice. All rights reserved.

Key features

- 16/32×CVBS video inputs with MPEG4 AVC/H.264 Video encoding
- Supports PAL (PAL-B,D,G,H,I) and NTSC (NTSC-M,J) SD video formats
- Support MPEG1 Layer II Audio encoding and **support audio gain adjustment**
- Support 1 MPTS out through 2 ASI output ports
- Support IP output over UDP and RTP
- Support Null PKT Filter(only for MPTS, SPTS output without Null PKT)
- **Support Logo, Caption, QRcode insertion (Language Supported: 中文, English, العربية, ไทย, हिन्दी, for more languages please consult us...)**
- Real-time effective encoding output bit-rate monitoring
- Control via web management, and easy updates via web
- Modular design, 1U chassis support up to 2 modules

Principle Chart (per daughter module)



Technical specification

Input	16/32 CVBS inputs , DB15-To-RCA interface	
Video	Resolution	720×576i (PAL-B,D,G,H,I), 720×480i (NTSC-M,J)
	Encoding	MPEG4 AVC/H.264(HP/MP/BP)
	Bit-rate	1Mbps~5Mbps each channel
	Rate Control	CBR/VBR
	GOP Structure	IPP (P frame is adjustable)
	Aspect Ratio	4:3; 16:9
Audio	Encoding	MPEG-1 Layer 2
	Sampling rate	48KHz
	Resolution	24-bit

	Audio Gain	0-255 adjustable
	Bit-rate	64/128/192/224/256/320/384Kbps each channel
Stream output	IP (1*MPTS and 16/32*SPTS) output over UDP and RTP, 1000 Base-T Ethernet interface (Multicast and unicast)	
	1 MPTS output through 2 ASI output ports (one for back up), BNC interface	
System function	Network management (WEB)	
	English language	
	Ethernet software upgrade	
Miscellaneous	Dimension(W×L×H)	482mm×328mm×44mm
	Environment	0~45°C(work); -20~80°C (Storage)
	Power requirements	AC 110V± 10%, 50/60Hz, AC 220 ± 10%, 50/60Hz

Order Information

	Version I	VersionII
16 CVBS Input	○	
32 CVBS Input		○